



# **UltraShield**® Cladding

## **All Weather System**

A close-up photograph of a wooden surface, showing the natural grain and texture of the wood. The planks are arranged in a slightly curved pattern, creating a sense of depth and movement. The lighting is soft, highlighting the natural variations in the wood's color and grain.

# UltraShield<sup>®</sup> Cladding

*Looks nice, feels nice & all the wonderful stays*

Historic Problems  
of exterior wall cladding  
& **THE Solution**

# Problems

Exterior Wall Cladding Boards used to have

Wood / Plywood



Rot



Fungus



Mold



Crack / Split



Potential Safety & Health Hazards

Conventional Composite



Cracks

Faded



Unpleasant Outlook

Poorly Designed/Installed Composite



Warped / Bending



Partial or Entire Refurbishing

# More examples of Problems & Hazard of poor designed exterior wall cladding



# The One Step Solution (Prevention)



**UltraShield**<sup>®</sup> Cladding

All Weather System

because:



1. Advanced UltraShield  
Capped Composite  
Material

2. Engineered  
Designed  
Installation System

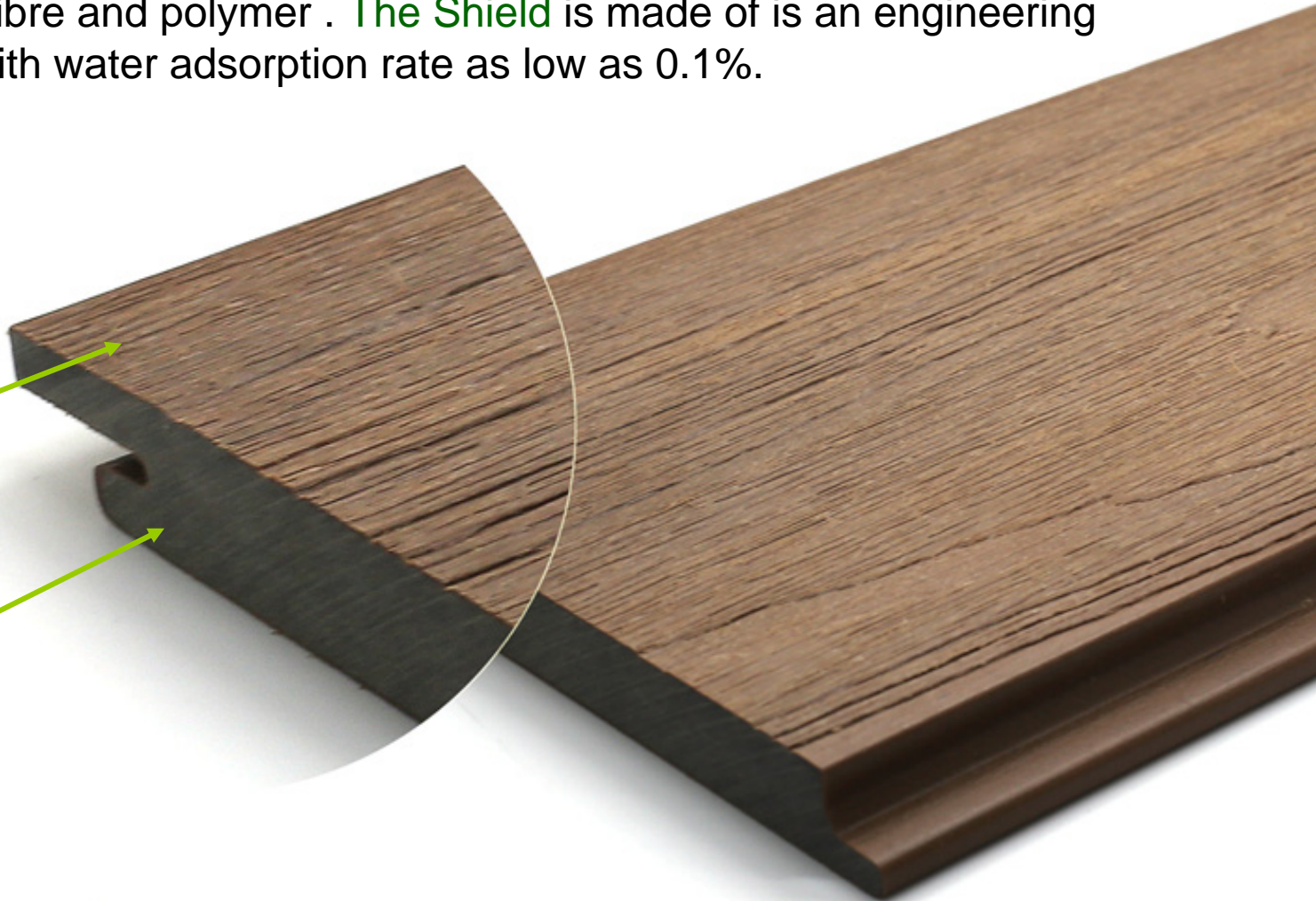
**Reason 1. The Material**

# 1. Advanced Capped Composite Material: **UltraShield**<sup>®</sup>

**UltraShield** is capped composite wood material, which has a strong & durable polymer shield wrapped the core 360 degree. **The Core** is made of high density mixture of wood fibre and polymer . **The Shield** is made of is an engineering grade polymer, with water adsorption rate as low as 0.1%.

**Shield**

**Core**





Since the Shield has extremely low water absorption rate, it prevents moisture penetration inside the core. As a result, the following problems can be avoided:

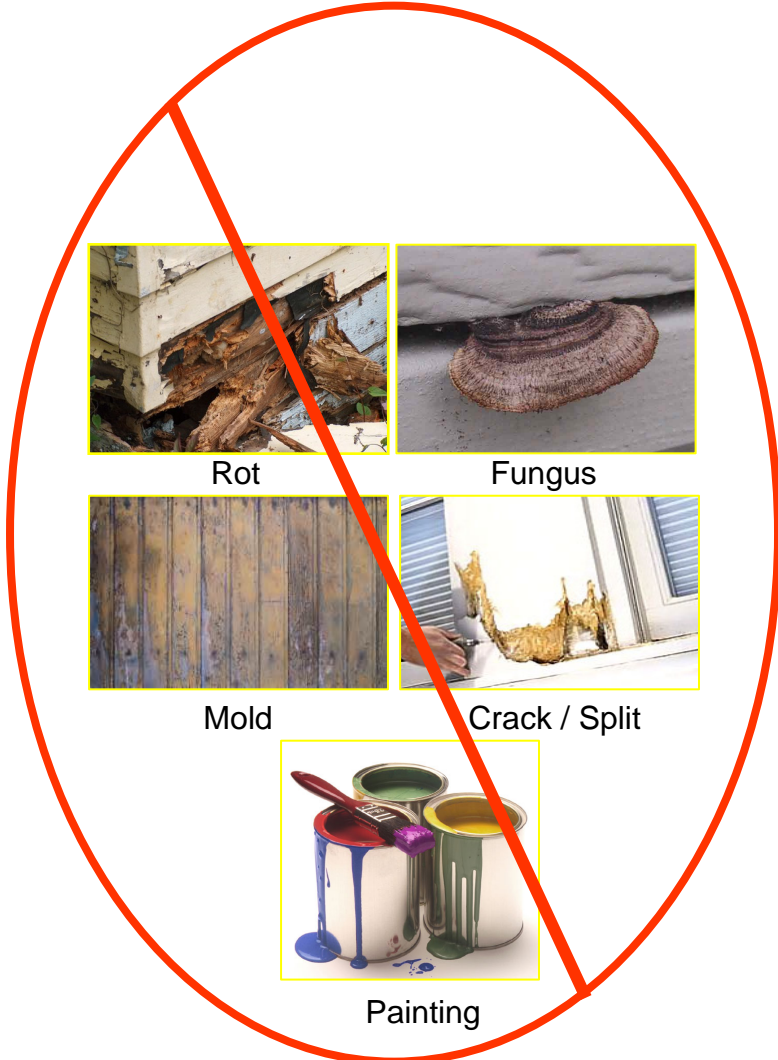
- ✗ No Rot
- ✗ No Split & Crack
- ✗ No Fungus & Mold

→ Durable and longer life span,  
Keep family members healthy & safe

Because of the strong and tough Shield, it gives a maximum protection with following properties:

- ✓ Stains Resistance
- ✓ Scratch Resistance
- ✓ No need to paint

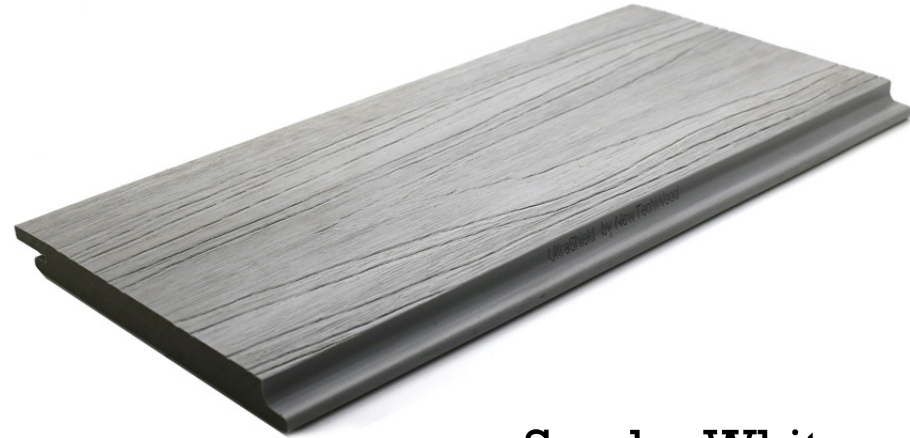
→ Maintain the pleasant outlook for years to come with very low maintenance, saving time & money



The Shield also provides striking colors and wood grains



Maple



Smoke White



Walnut



Teak



# UltraShield<sup>®</sup> Cladding

Ultra Low Maintenance for years to come

# Reason 2. The System

## 2. Engineered Designed Installation System

**UltraShield**<sup>®</sup> Cladding works because it has a special engineered designed installation system to match with. They allow the board for expansion and contraction but the board is fixed at one position. No movement and no warping.

The system including:

- 2a. Cladding Clip (AW08)
- 2b. Starter Clip (AW02)
- 2c. Gasket (T-7)
- 2d. Joist
- 2e. Butt joists fascia & base
- 2f. Outer corner fascia & base
- 2g. Inner corner fascia & base

Note: 2a-2b-2c are compulsory accessories to install UltraShield Cladding.  
2d-2e-2f-2g are available for selection to match the project design.

## 2a. Cladding Clip AW08

### Function 1:

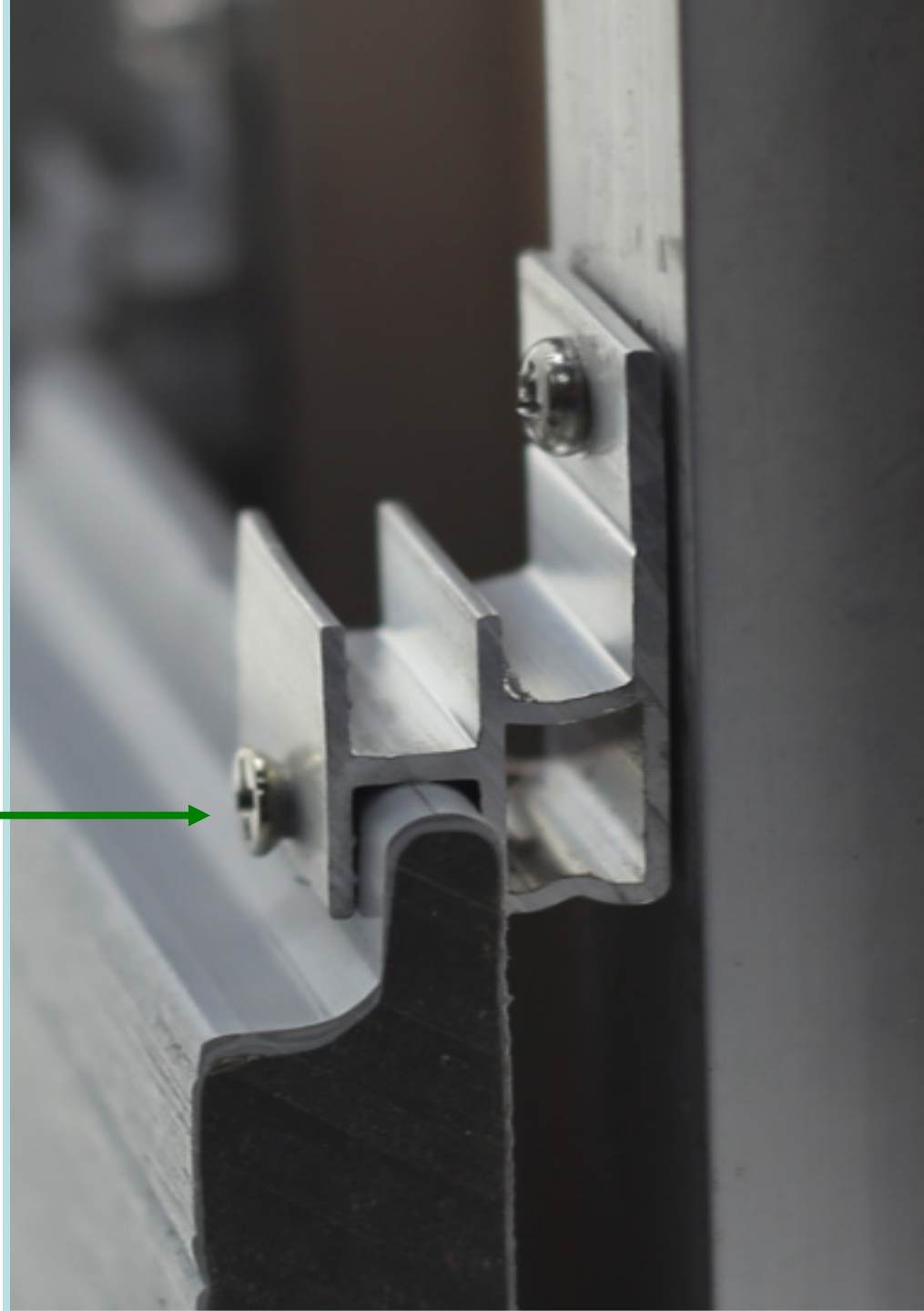
Raised up & connect the  
Cladding board



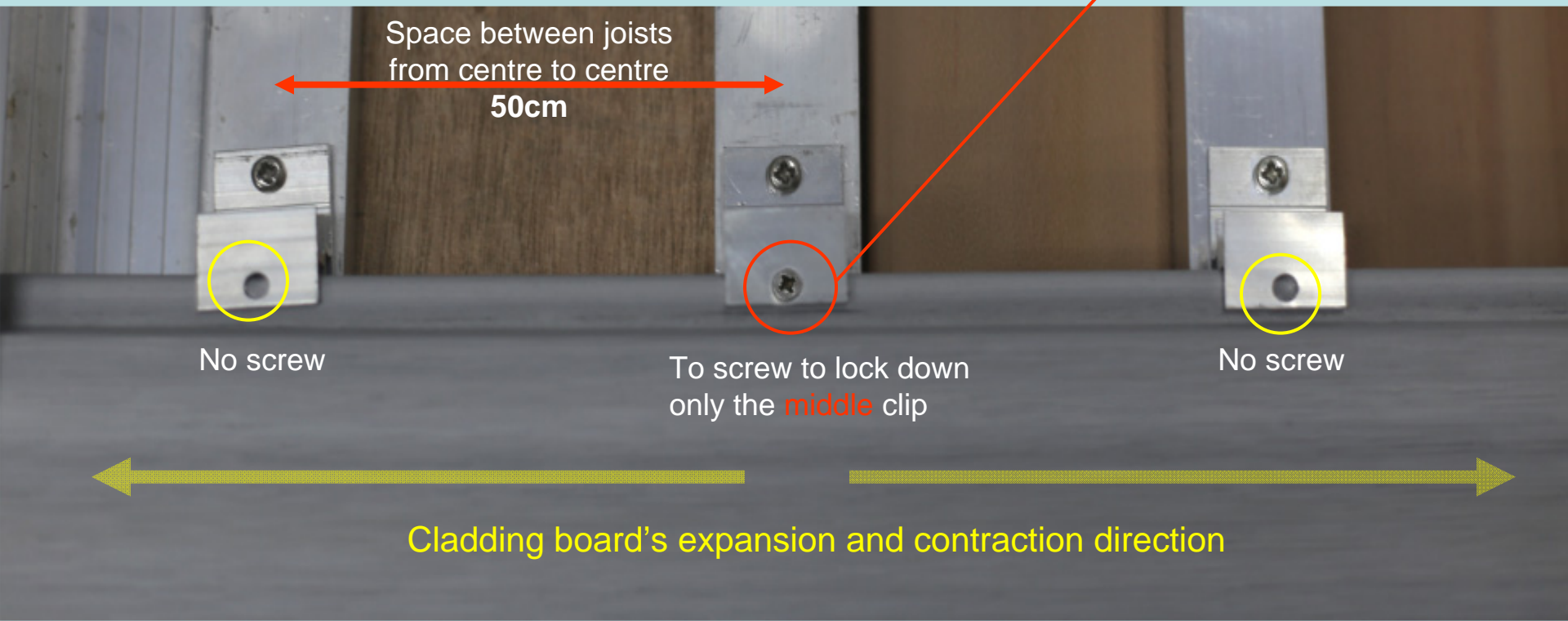
## 2a. Cladding Clip AW08

### Function 2:

Act as a **locking clip**, by screwing one screw through the pointed hole of the AW08, in order to fix the cladding board at one position.



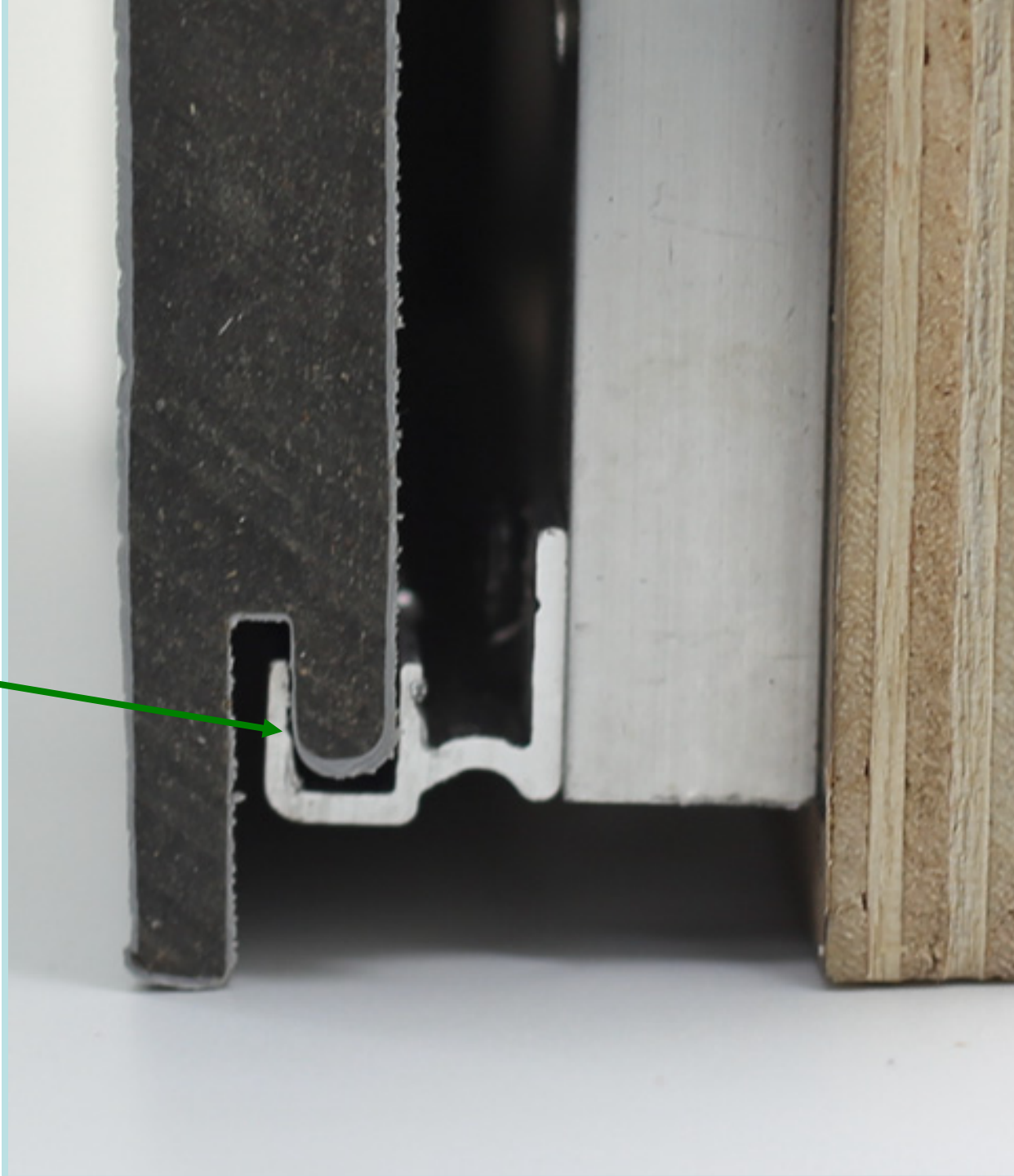
→ Only lock down the one clip in the middle on each cladding board, to allow expansion and contraction on both sides of the board.

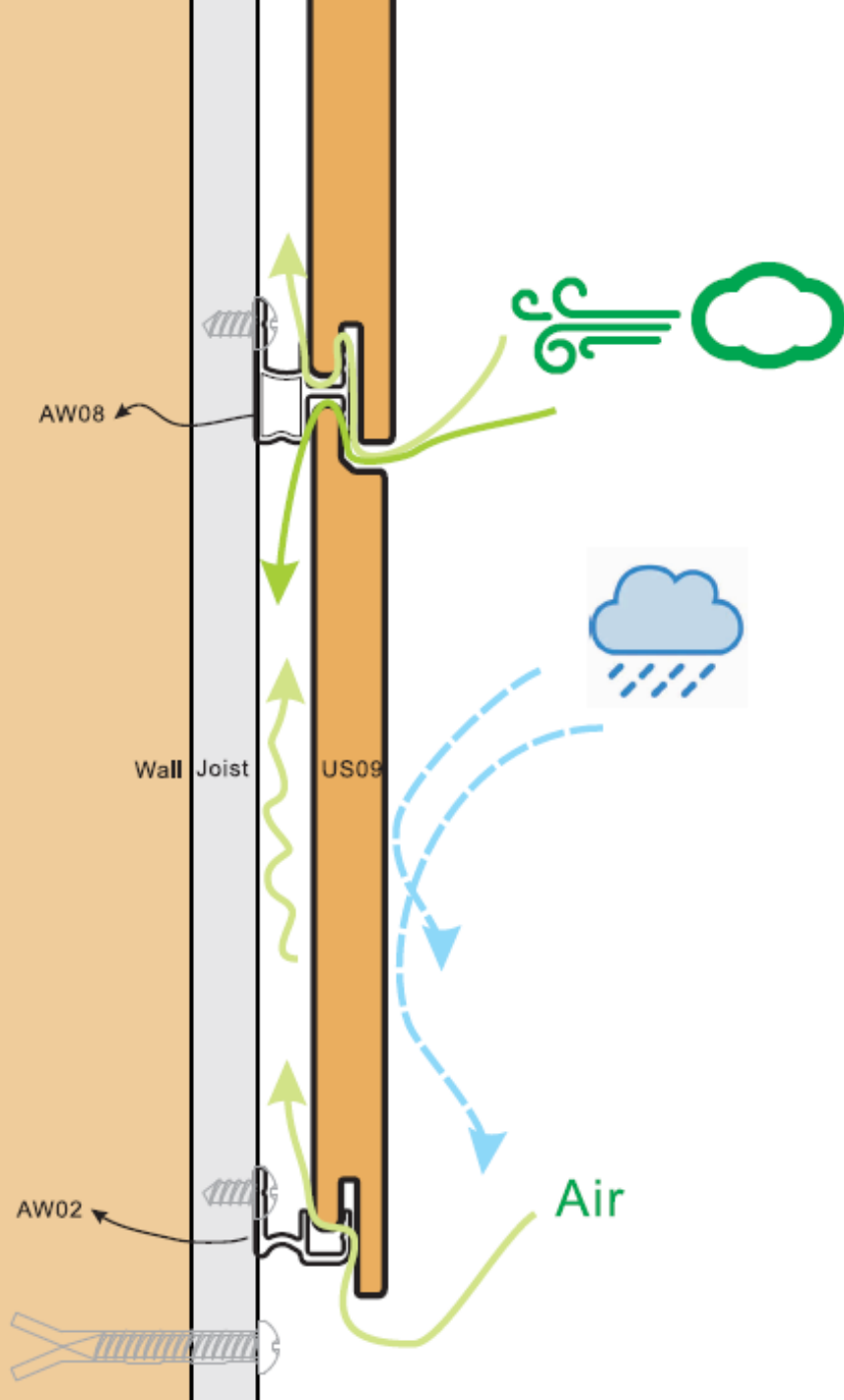




## 2b. Starter Clip AW02

Special designed to fix the first cladding clip on the joist, also allow the board for expansion and contraction.



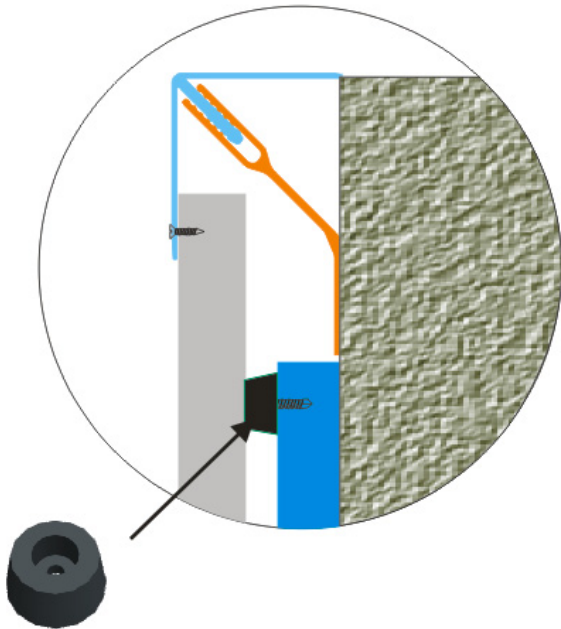


## Cladding Clip AW08 & Starter Trim AW02

- Create rooms for **Air Circulation** between the joist and the cladding boards, so keep the boards dry all seasons.
- Water will flows down from the outside of the cladding boards as the special design at the connection point

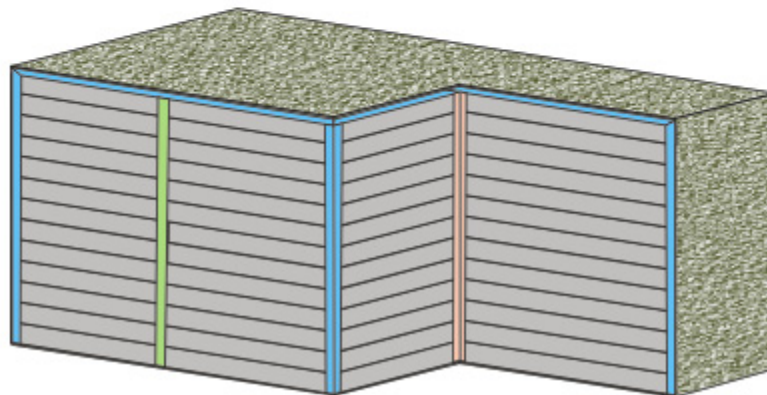
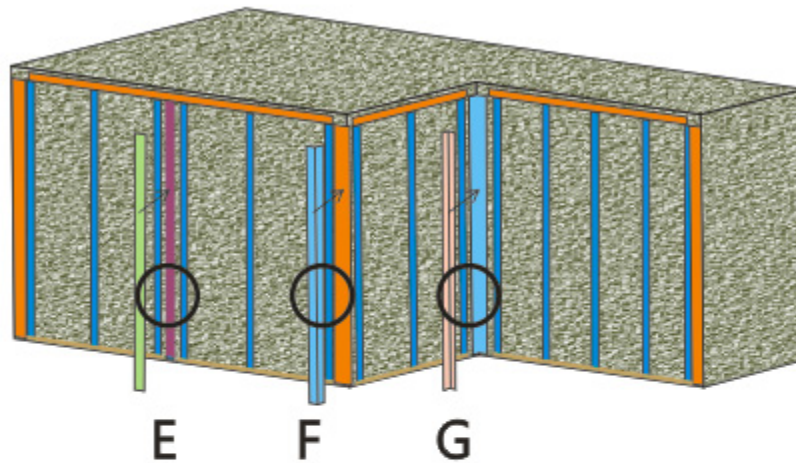
## 2c. Gasket (T-7)

The Gasket T-7 is designed to fix on the top end of the entire wall on the joists, in order to hold up and level the last cladding boards.

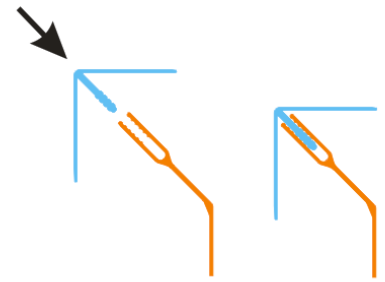


- 2e. Butt joists fascia & base
- 2f. Outer corner fascia & base
- 2g. Inner corner fascia & base

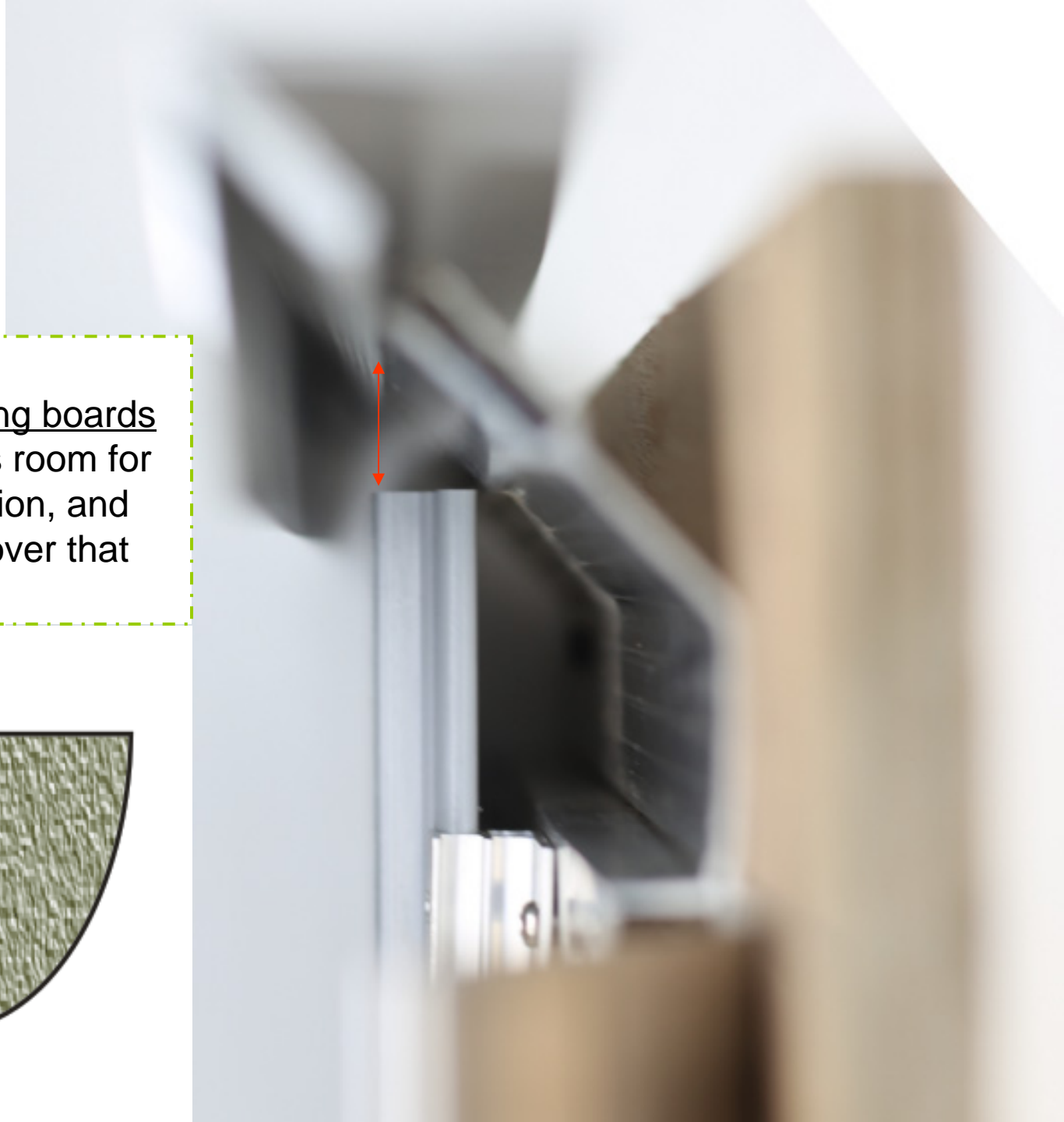
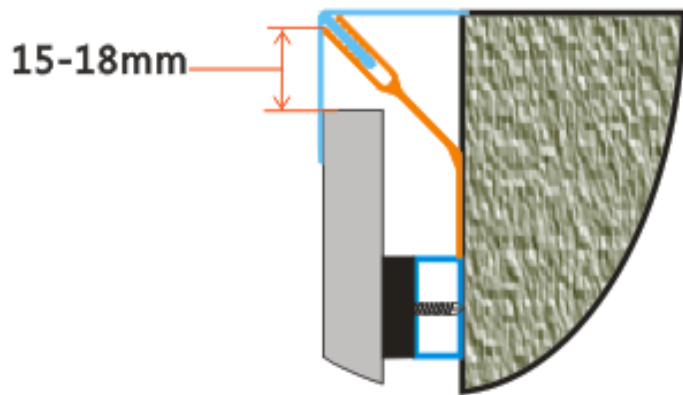
UltraShield Cladding system has three set of aluminium alloy fascia & base.



**Fixing the fascia on to the base,  
without any tools or adhesive**



Leave 15-18mm space between the last cladding boards and the fascia, so it has room for expansion and contraction, and also the fascia board cover that room for neat finishing.



Please read through the complete wall cladding installation guide on [www.newtechwood.com](http://www.newtechwood.com) before installing UltraShield cladding.

The image shows a close-up of a wall cladding system. On the left side, there is a vertical strip of dark grey, textured panels. To the right of this strip, the cladding transitions into horizontal panels with a natural wood-grain pattern, ranging from light tan to medium brown. The panels are installed with a staggered, overlapping pattern. In the bottom left corner, the text "UltraShield® Cladding" is overlaid in white.

**UltraShield**® Cladding



The image shows a close-up of a corner where two walls meet. Both walls are covered in horizontal, greyish-blue cladding panels with a wood-grain texture. The panels are separated by thin, dark lines. The lighting is even, highlighting the texture of the material.

**UltraShield**<sup>®</sup> Cladding



**UltraShield**<sup>®</sup> Cladding